

Høglund cSAFE

Marine Approved firewall

Threats and attacks from internet becomes increasingly sophisticated and more frequent, in combination with our ever increasing portfolio of internet based services. We have analyzed every aspect to ensure safe and reliable operations.

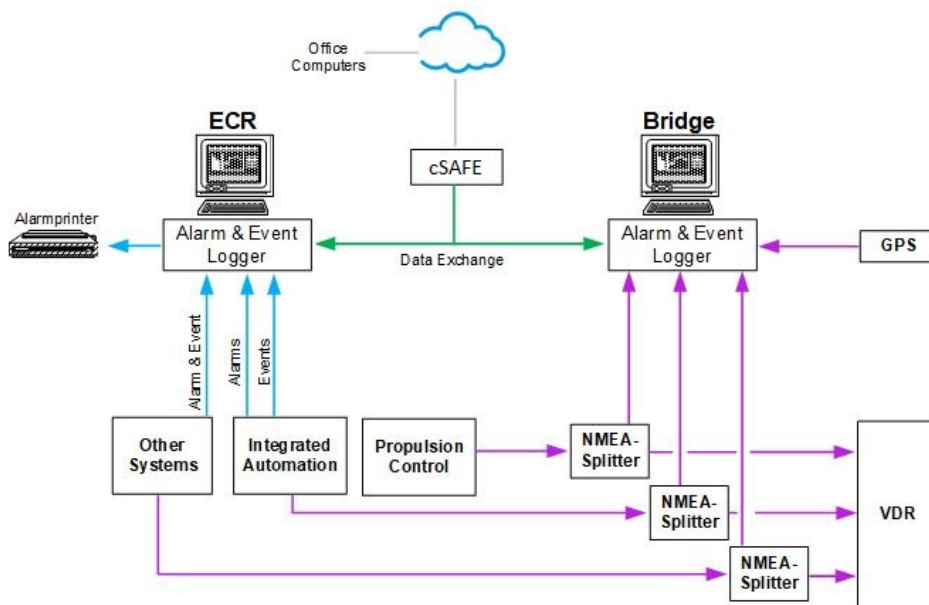
Høglund cSAFE will protect the automation system from cyber attacks, and allow Høglund engineers to connect remotely to your vessel through a secure channel.

Benefits

- Easy to Install
- Easy to use
- Physical firewall segregates the automation system from the rest of the world
- Only certified HMA technicians can access your vessel

Functions

- Protects the automation system from cyber attacks
- Enables file transferring between automation system and 3rd party vendor through a secure protocoll.



Example of cSafe used in our "Vessel Surveillance" solution.

Simple Installation

Høglund cSafe is installed next to a Høglund AdminNet switch. Cable from ShipNet/VesselNet is connected to cSafe WAN port. Then patch cable from cSafe LAN port to AdminNet switch.

Remote Connection

Push button box will be installed in ECR. 4 wired cable from cSafe to pushbutton box.

When Remote Connection is needed, vessel crew will push the button. Green lamp is activated, indicating that remote connection is available.

When the remote session is completed, crew will again push the button. Green lamp will turn off, and remote connection is no longer possible. If crew forgets to terminate the session, it will automatically time out.

Secure Data Transfer

Høglund cSafe enables secure data transfer between vessel and Høglund cloud server or other 3rd party vendors. All data is encrypted.



Marine approvals

DNV GL
ABS
BV
LR

Environmental specs

Air 0°C-45°C
Water ingress protection field equipment IP54

Electrical

24VDC